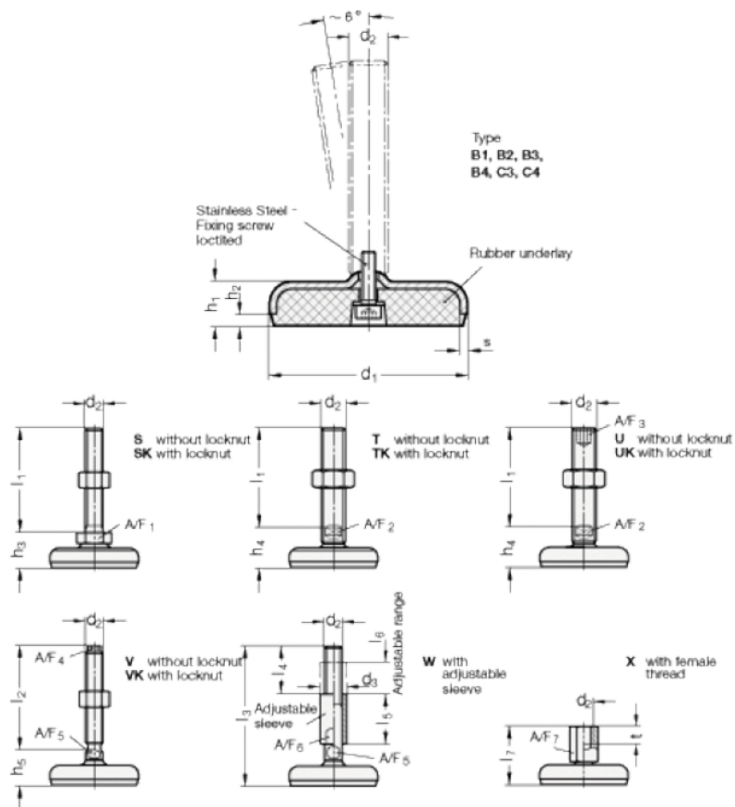


Article number: 203180M20200B3U

Description: E+G levelling foot  
GN 31-80-M20-200-B3-U

Note: U Without nut, Hexagon socket at the top, Wrench flat at the bottom

## Measures



|           |       |       |
|-----------|-------|-------|
| A/F2      | = 15  | s = 3 |
| A/F3      | = 10  |       |
| d1        | = 80  |       |
| d2        | = 20  |       |
| h1        | = 18  |       |
| h2        | = 5   |       |
| h4 +4.0/0 | = 33  |       |
| l1        | = 200 |       |